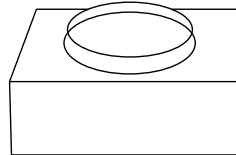


WALL MOUNT RECIRCULATION DEFLECTOR KIT INSTALLATION INSTRUCTIONS

Installation Accessories

Recirculation Deflector



Additional Supplies Needed

The following installation accessories **are required** and must be purchased separately.

- Carbon Filters (ARHA06A)
- Duct Covers w/Grates (ARHA03A)
- 6" or 8" Round Metal Ductwork
- Duct Sealing Tape

Tools Needed

- Screwdriver • Measuring Tape • Metal Snips

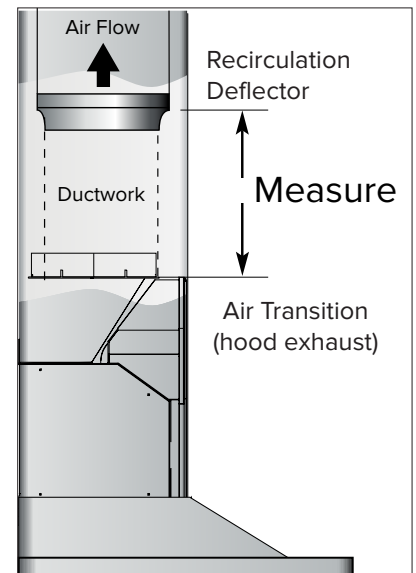
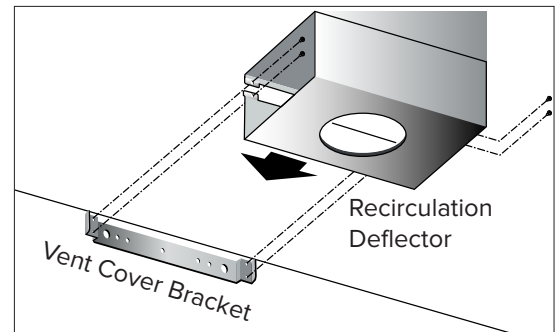


WARNING:

Turn off power at service panel and lock out panel before installing this kit. Installation must comply with all local codes. Wear gloves to protect from sharp edges.

To install the wall mount recirculation deflector kit, do the following:

1. After the vent cover bracket has been installed on the wall (Refer to the Avallon Range Hood Wall Mount manual), attach the recirculation deflector to the vent cover bracket with the four supplied screws.
2. Measure from the bottom of the recirculation deflector to the bottom of the air transition on the range hood and cut the metal ductwork to the required length.
3. Slide the duct onto the bottom of the deflector.
4. Position the duct assembly over the exhaust in the hood.
5. Use special tape to seal the duct joints to the deflector and hood exhaust. Duct sealing tape must be approved for the application.



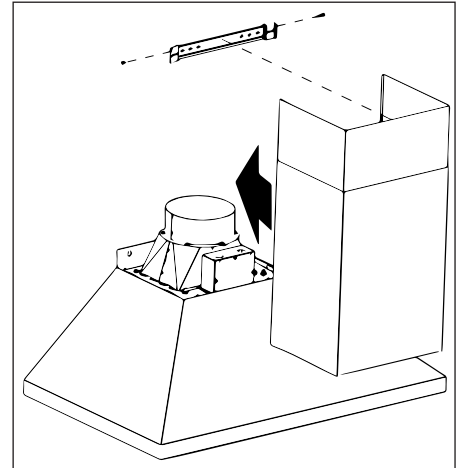
Install Duct Covers With Grates

Set aside the duct covers that came with your range hood and install the duct covers with grates instead.

NOTE:

Do not remove the protective film on the duct covers until you figure out how long they need to be. This will protect the duct covers from scratches.

1. Place the telescopic duct covers on top of the range hood.
2. Extend the top (inner) duct cover to the ceiling.
3. Remove the protective film from the duct covers.
4. Secure the top duct cover to the duct cover bracket, using two (2) 4 x 8mm mounting screws.
5. Secure the bottom of the duct covers with two (2) 4 x 8mm screws.



Install Charcoal Filters

1. Remove the metal filters from the bottom of the range hood, in order to access the blower motor.
2. Place the carbon filters on top of the blower grilles.
3. Insert the pins from the blower into the charcoal filter and rotate the filter clockwise.
4. Reinstall the metal filters.

